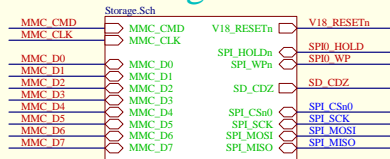


RAM



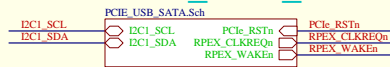
Storage



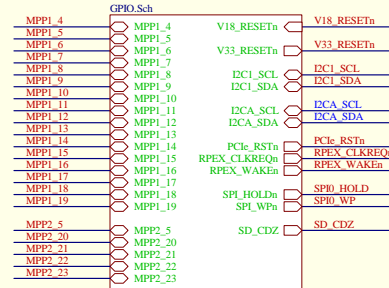
JTAG



PCIE_USB_SATA



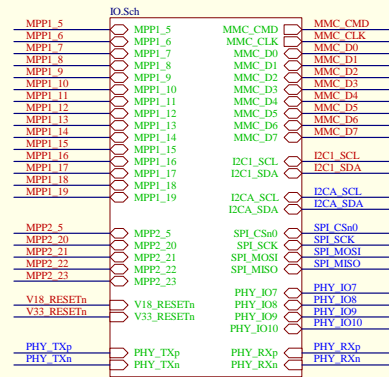
GPIO

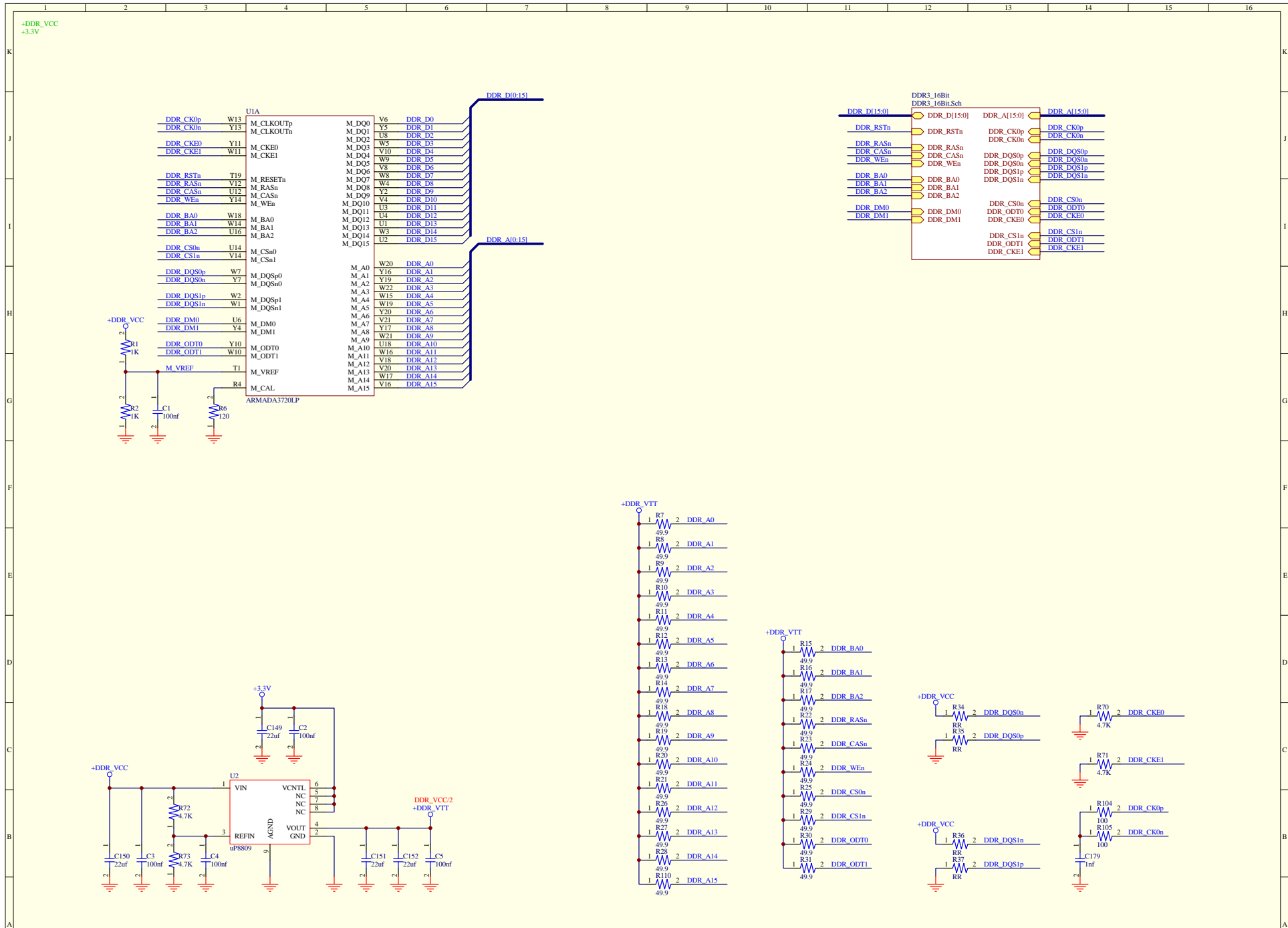


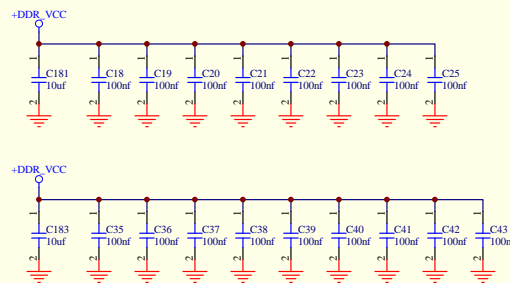
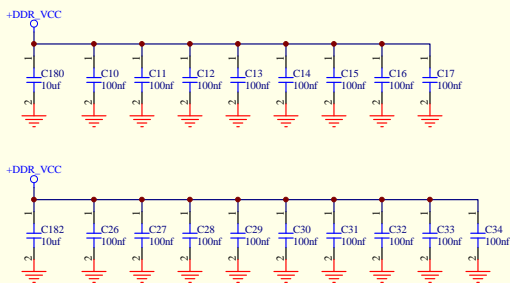
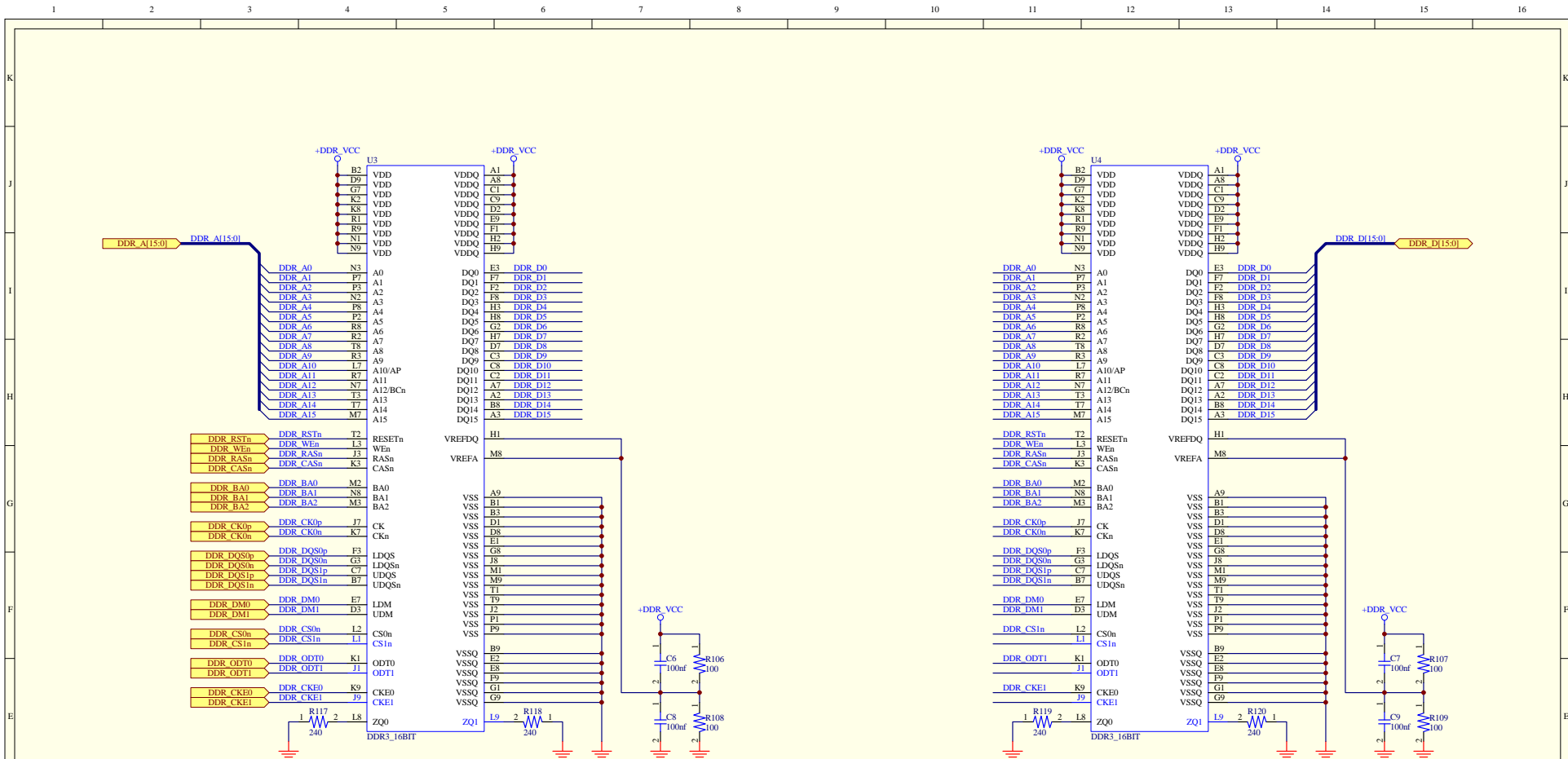
POWER

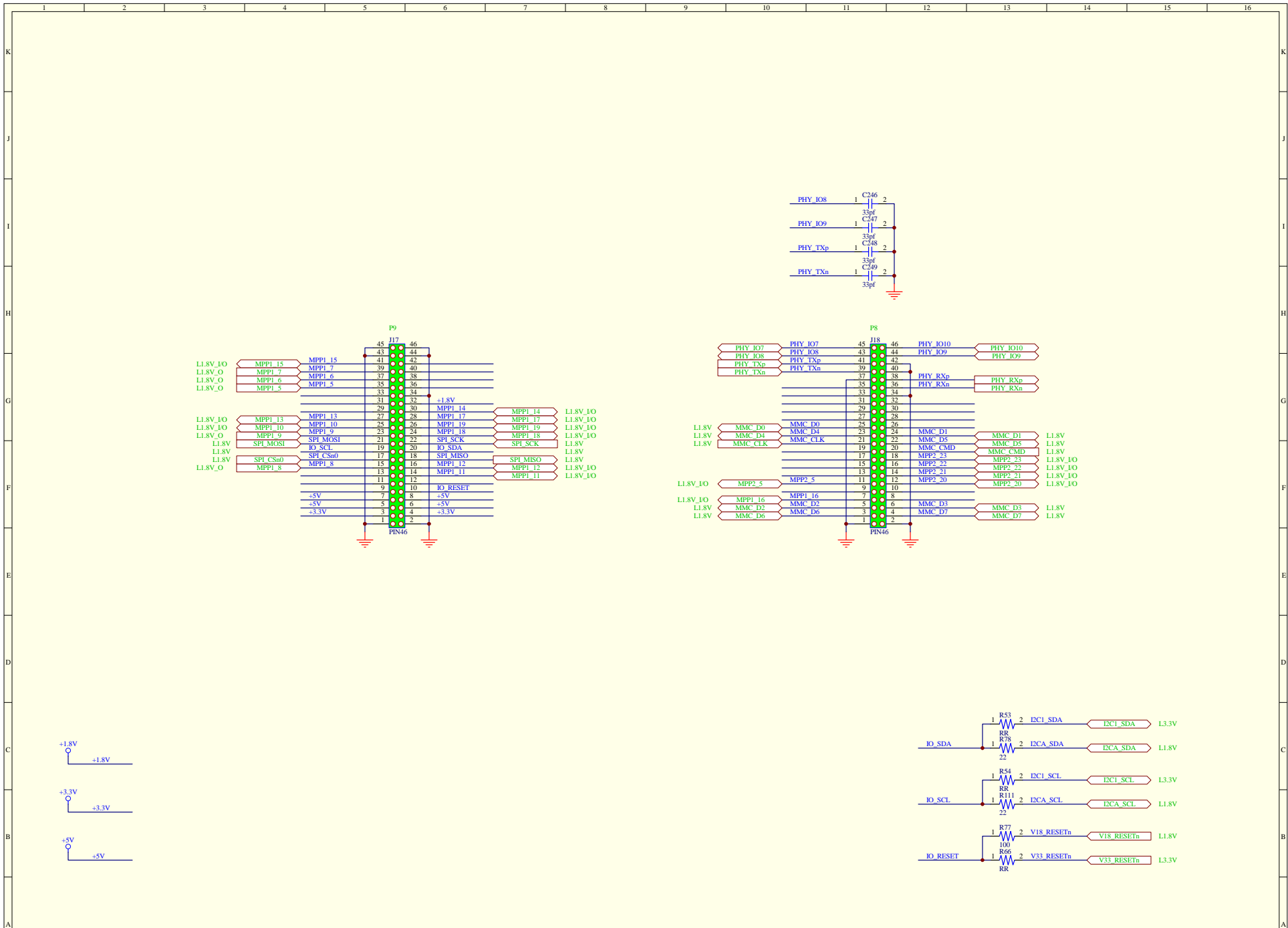


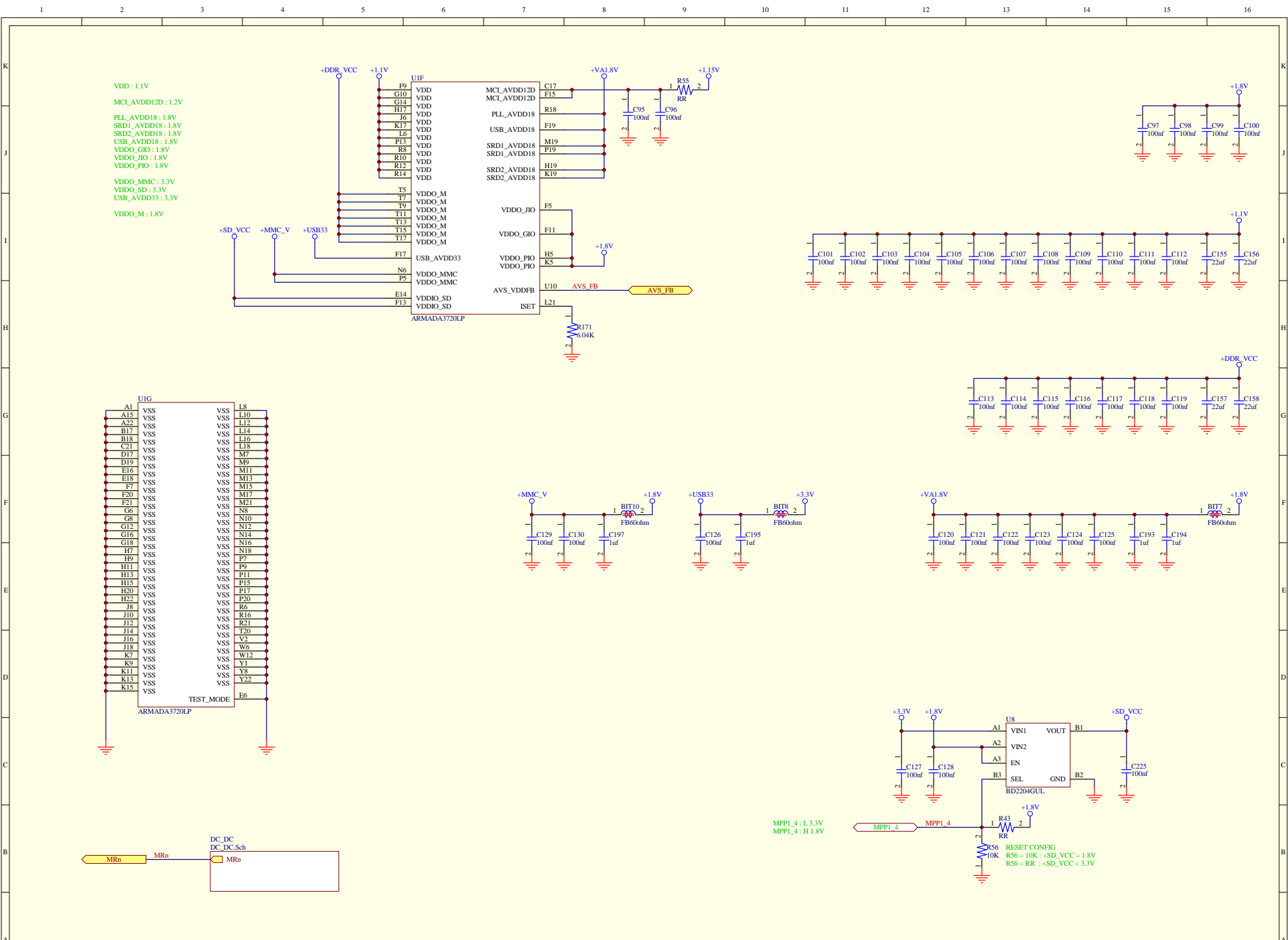
IO

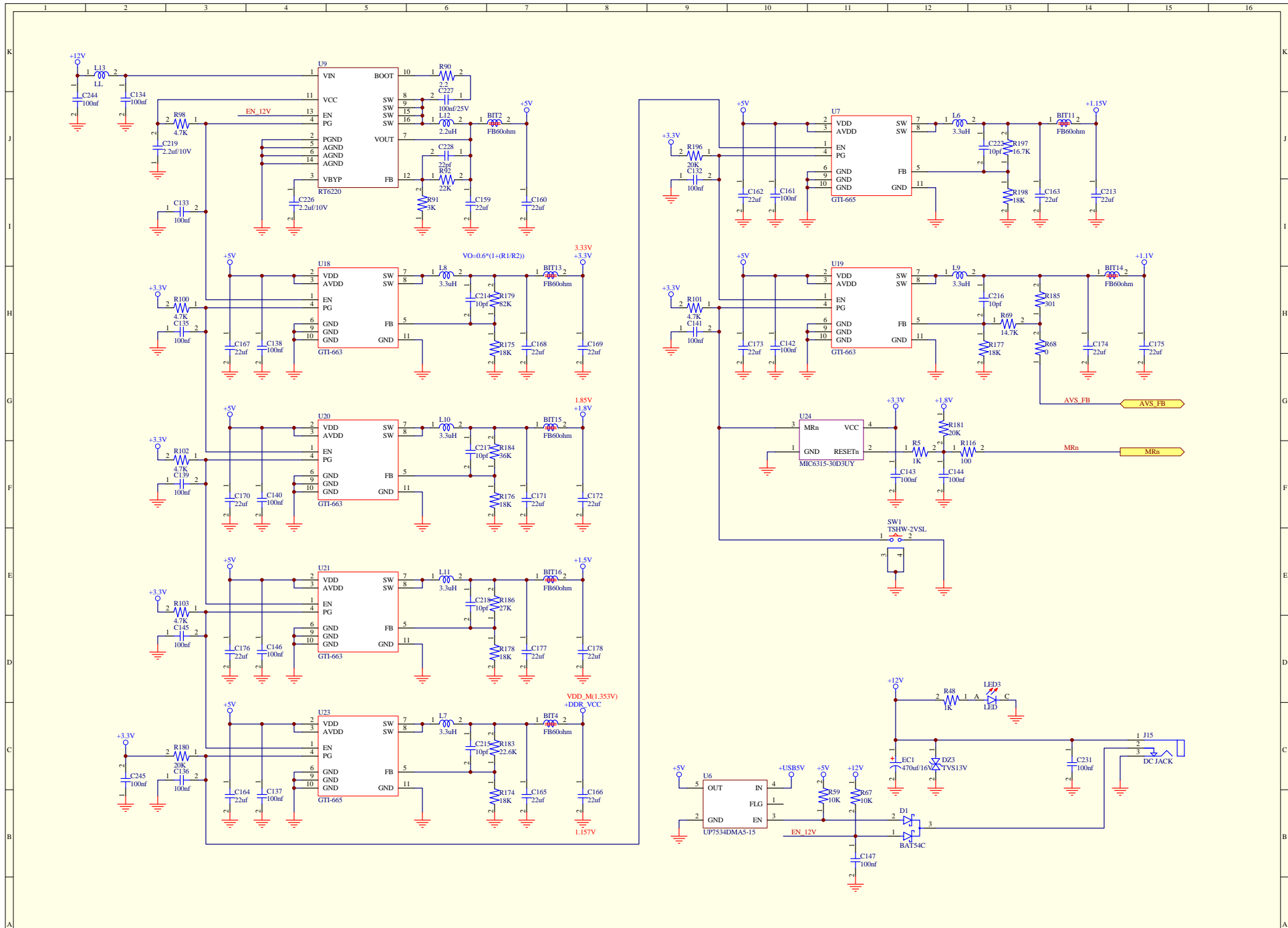


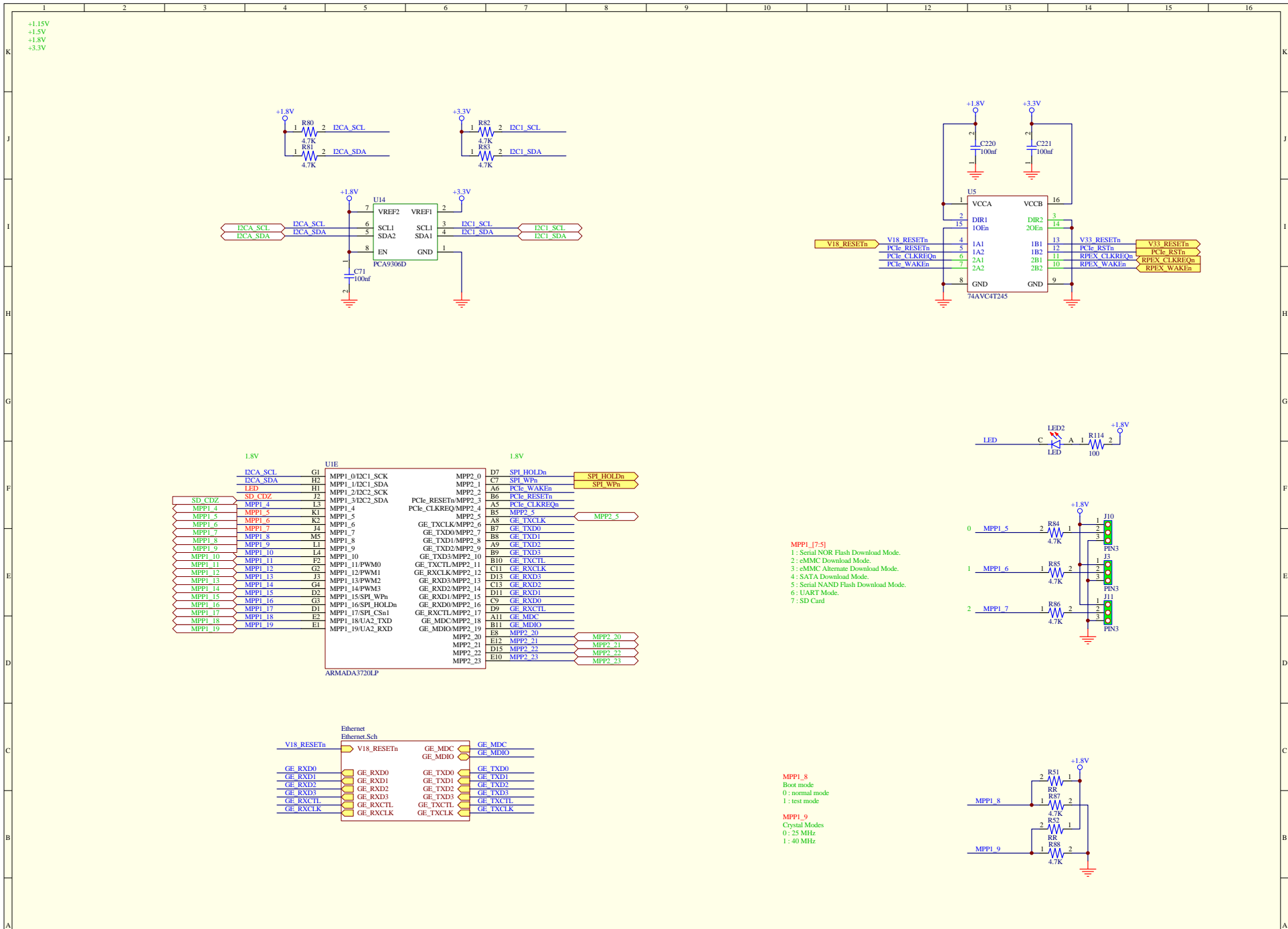












1.8V

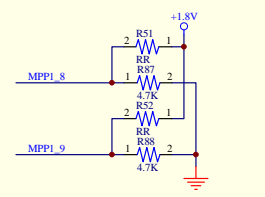
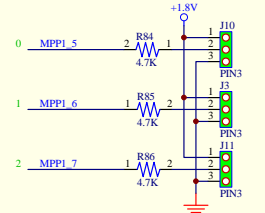
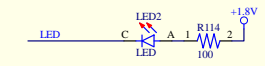
UIE		1.8V	
I2CA_SCL	G1	MPP1_0 I2C1_SCK	MPP2_0
I2CA_SDA	H2	MPP1_1 I2C1_SDA	MPP2_1
LED	H1	MPP1_2 I2C2_SCK	MPP2_2
SD_CDZ	J2	MPP1_3 I2C2_SDA	MPP2_3
MPP1_4	I3	MPP1_4	MPP2_4
MPP1_5	K1	MPP1_5	MPP2_5
MPP1_6	K2	MPP1_6	MPP2_6
MPP1_7	J4	MPP1_7	MPP2_7
MPP1_8	M5	MPP1_8	MPP2_8
MPP1_9	L1	MPP1_9	MPP2_9
MPP1_10	L4	MPP1_10	MPP2_10
MPP1_11	E2	MPP1_11 PWM0	MPP2_11
MPP1_12	G3	MPP1_12 PWM1	MPP2_12
MPP1_13	J3	MPP1_13 PWM2	MPP2_13
MPP1_14	G4	MPP1_14 PWM3	MPP2_14
MPP1_15	D2	MPP1_15 SPI_WPh	MPP2_15
MPP1_16	G3	MPP1_16 SPI_HOLDn	MPP2_16
MPP1_17	D1	MPP1_17 SPI_CSs1	MPP2_17
MPP1_18	E2	MPP1_18 UA2_TXD	MPP2_18
MPP1_19	E1	MPP1_19 UA2_RXD	MPP2_19
		MPP2_20	MPP2_20
		MPP2_21	MPP2_21
		MPP2_22	MPP2_22
		MPP2_23	MPP2_23

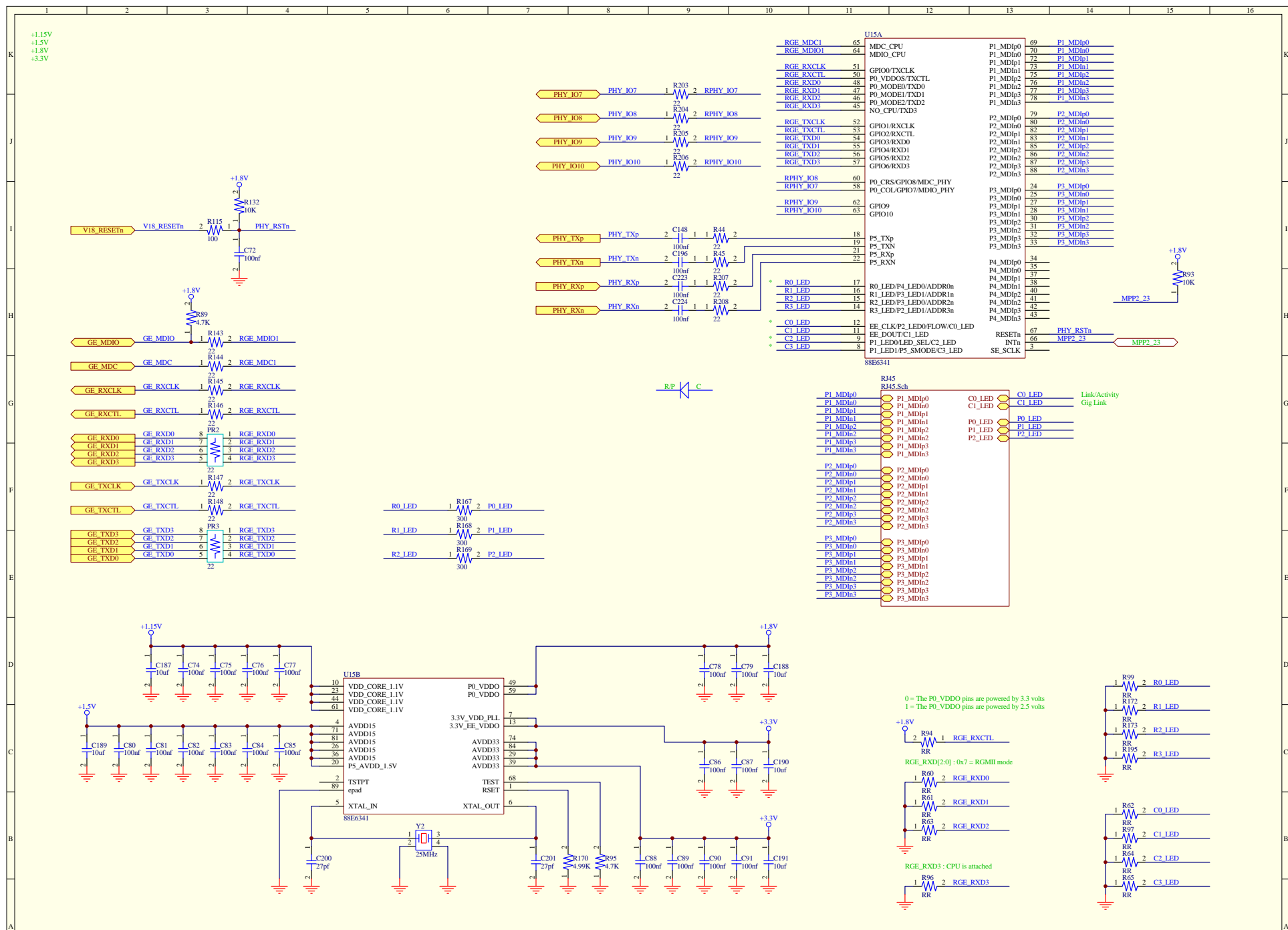
ARMADA3720LP

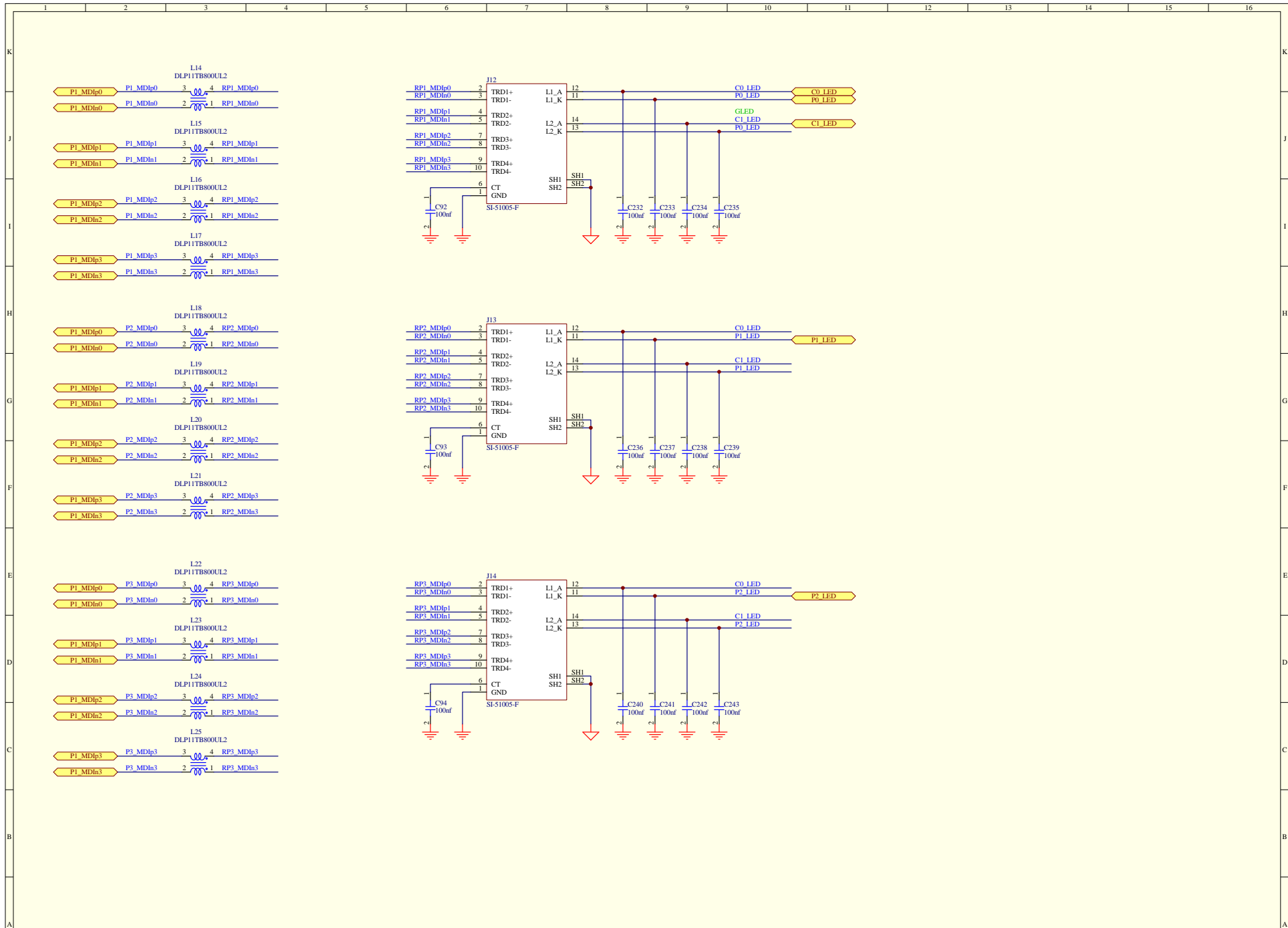
Ethernet		Ethernet Sch	
V18_RESETEn	V18_RESETEn	GE_MDC	GE_MDC
		GE_MDIO	GE_MDIO
GE_RXD0	GE_RXD0	GE_TXD0	GE_TXD0
GE_RXD1	GE_RXD1	GE_TXD1	GE_TXD1
GE_RXD2	GE_RXD2	GE_TXD2	GE_TXD2
GE_RXD3	GE_RXD3	GE_TXD3	GE_TXD3
GE_RXCTL	GE_RXCTL	GE_TXCTL	GE_TXCTL
GE_RXCLK	GE_RXCLK	GE_TXCLK	GE_TXCLK

- MPP1_7:5
- 1 : Serial NOR Flash Download Mode.
 - 2 : eMMC Download Mode.
 - 3 : eMMC Alternate Download Mode.
 - 4 : SATA Download Mode.
 - 5 : Serial NAND Flash Download Mode.
 - 6 : UART Mode.
 - 7 : SD Card

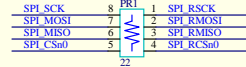
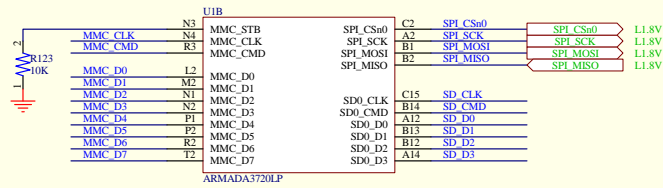
- MPP1_8
- Boot mode
 - 0 : normal mode
 - 1 : test mode
- MPP1_9
- Cystal Modes
 - 0 : 25 MHz
 - 1 : 40 MHz



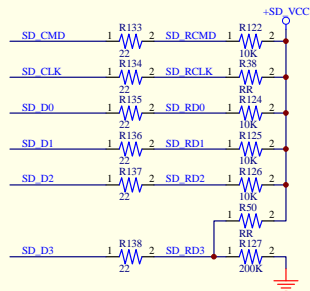
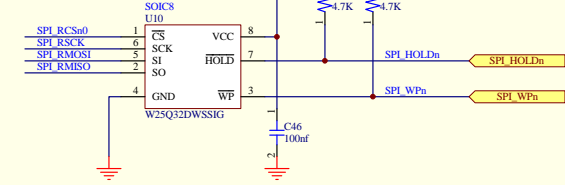




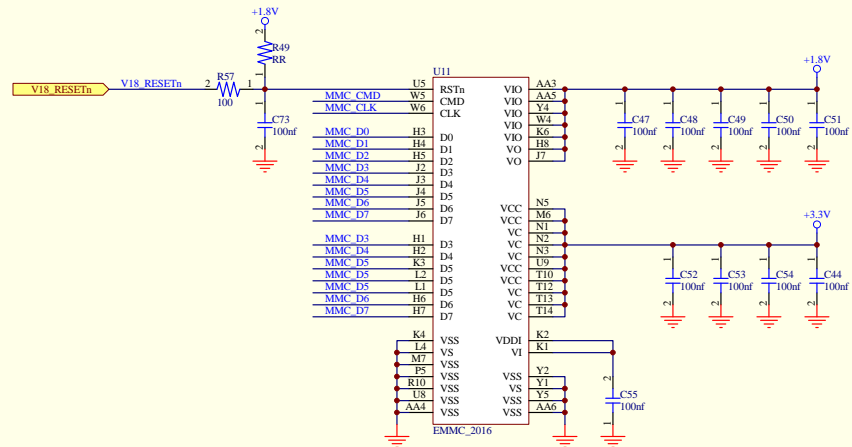
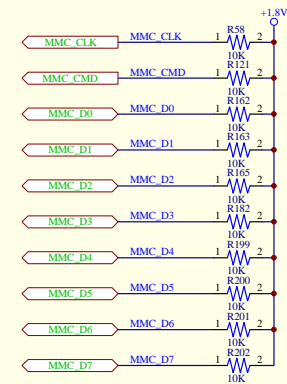
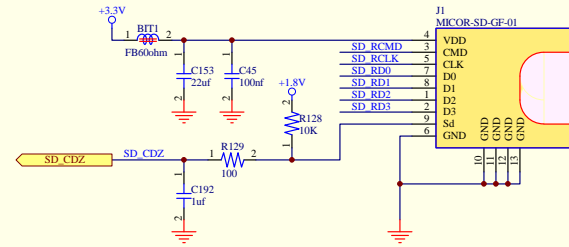
+1.8V
+3.3V

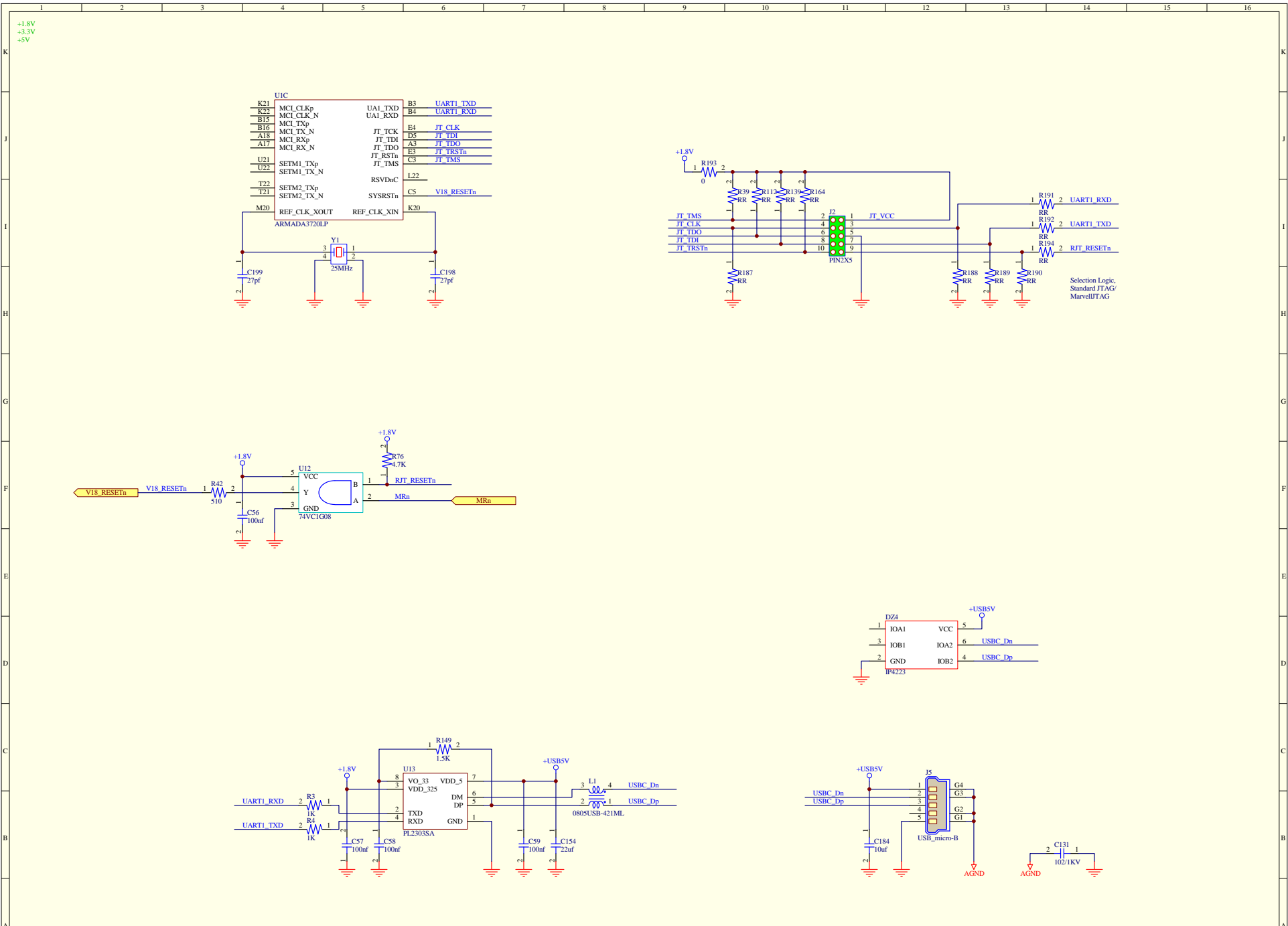


Serial DataFlash

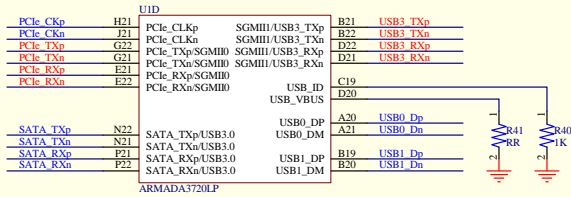


If required SD card autodetection - SD_RD3 should be PD via 200K

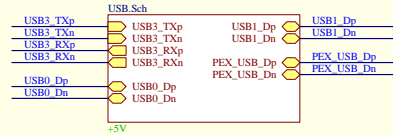




+1.5V
+3.3V
+5V



USB



MiniPcie

